

SEN PHOTOCELL SENSOR

PROJECT:

SCHEDULE:

DATE:

PREPARE BY:

NOTES:

DESCRIPTION

naturaLED® Photocontrol SEN-PC-JL-412C is applicable to control the passage lighting and doorway lighting automatically in accordance with the ambient lighting level. This product is designed with electronic circuits. Rapid response with time delay of 3-10 seconds offers easy-to-test- features, while a miniature profile supports most smaller fixtures. Further, a preset 3-10 seconds time-delay might avoid redundancy operation due to spotlight or lighting during the night time. Listed by UL, LLC, and is comly with the Standard for Non-Industrial Photoelectric Switches for Lighting Control UL773A.

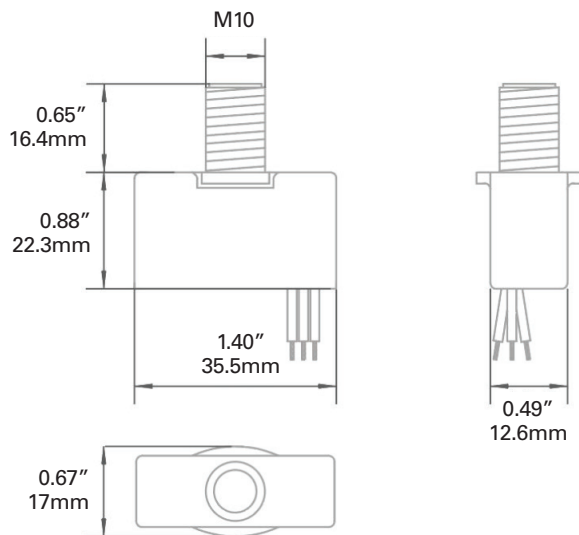


FEATURES

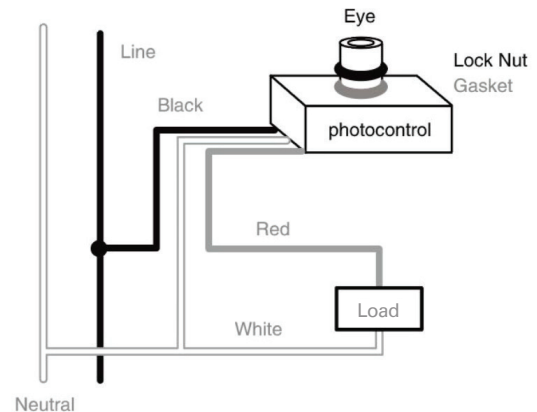
- UL773A Direct Wire-In
- 120-277V Multi-Volts
- IR-Filtered Phototransistor Sensor
- IP65 Rated
- Miniature Size

Item No.	P10543	Power Consumption	1W (Max)
Model No.	SEN-PC-JL-412C	On-Off Levels	On: 10~30Lx
Rated Voltage	120-277Vac		Off: 30~60Lx
Rated Frequency	50/60 Hz	Ambient	-40°F ~ 158°F (-40°C~70°C)
Rated Loading	1.2A Tungsten / Ballast	Related Humidity	96%
	1A e-Ballast	Leads Length	AWG #18, AWM1430

DIMENSION



INSTALLATION



Disconnect power, place screw thread of the photocontrol in knockout hole and fasten with rubber gasket and lock-nut. Wire according to the diagram in below. Do not install the photocontrol with the Photocell facing artificial or reflected light. This may cause the unit to cycle on and off at night.

Initial Testing

- It is normal for the SWITCH to take few seconds to turn off when first installed.
- To test "turn on" during daytime, cover its eye with opaque material.
- Test will take approximately 1 minutes.

